

PRODUCT INTRODUCTION

ANW1955 Differential Pressure Switch



ANW1955 Differential Pressure Switch

ANW1955 The differential pressure switch has the following functions

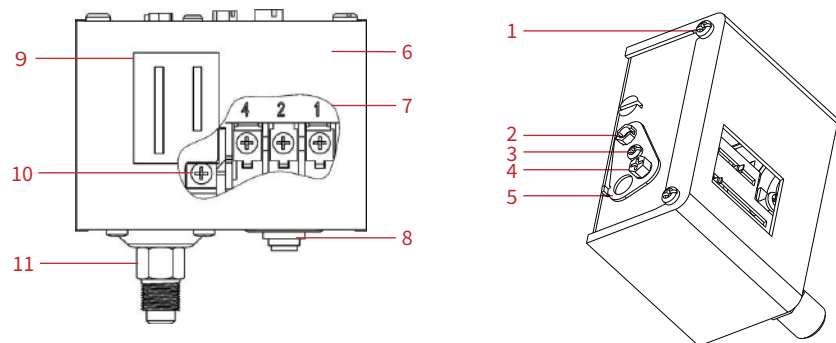
- Suitable for refrigeration systems
- Manual and automatic reset functions
- Adjustable pressure and differential pressure

Main Property

Maximum Working Pressure (bar)	14
Contact Material	Silver
Medium Temperature (°C)	-40~120
Ambient Temperature (°C)	-20~65
Mechanical Life(on&off/ action)	100000
Electrical Life(on&off/ action)	30000
Compliant With Standards	UL508 EN60730-1
Compliant With Certification	CE

* RoHS compliant products, there is a separate material number, please pay attention to the of orders

Product Display

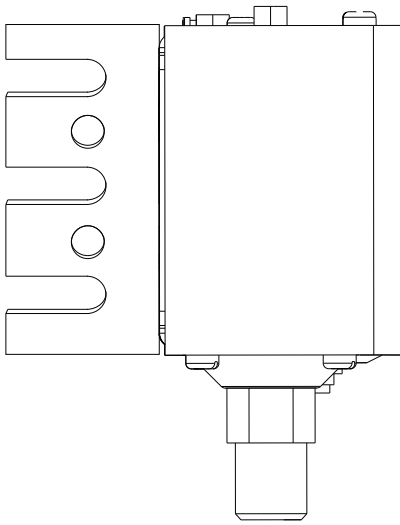


Explanation:

- 1.Cover screw 2.Differential adjustment screw 3.Lock plate screws 4.Setpoint adjustment screw
5.Lock plate 6.Cover 7.Wiring connector 8.Cable inlet 9.Setpoint indicator
10.Wiring connector 11.Pressure side

CHARACTERISTICS AND DIMENSIONS

ANW1955 Differential Pressure Switch



Vertical mounting (legend with L-bracket)

Electrical Characteristics

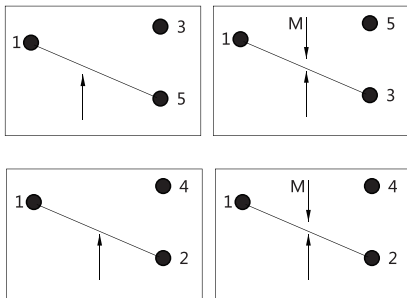
Electric Parameter	240VAC	120VAC
	FL8A FR48A	FL16A FR72A
Contact Arrangement	SPDT	
Breakdown Voltage	2000V/one minute without breakdown	

Mechanical Characteristics

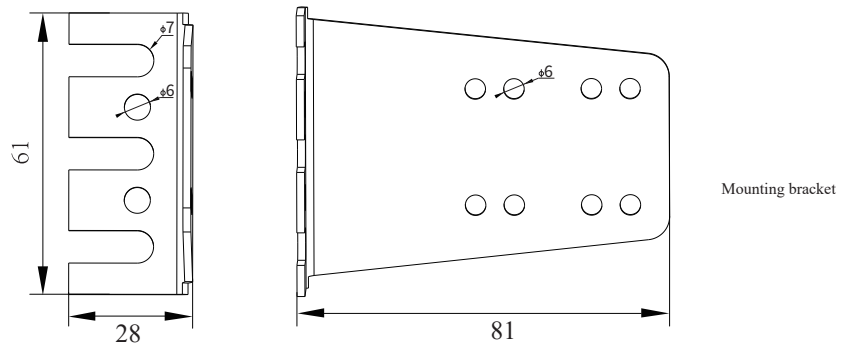
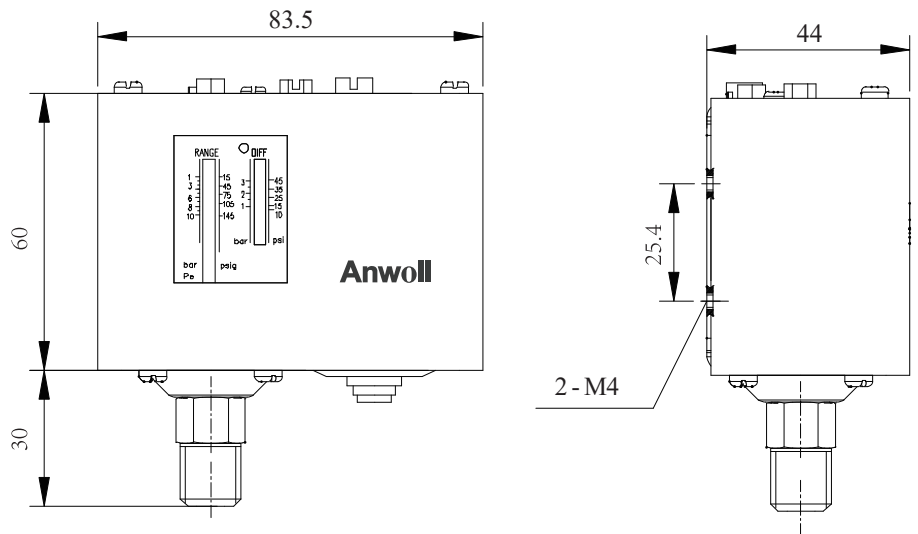
Medium	R22, R134a, R404A, air, liquid, etc	
Connector	M12*1.25、7/16-20UNF Other interfaces can be provided as required	
Enclosure	Ip20、IP30、IP44、IP55	
Installation Torque	2N*M	
Installation Tools	Cross screwdriver and wrench	
Cable Interface	Cable sealing interface with diameter of 6-14mm	

Size

Unit:mm



Contact Method



Mounting bracket

CHOICE OF MODEL

Select Type Rules And Order Numbers



ANW1955 Differential Pressure Switch

Product Name	Model	Reset Mode	Interface Type	Cover Color	Bracket
ANW1955	02		A		L
	02 03 06 08 10 14 16 20 30D 32 42 70	None=Auto reset M=Manual reset	A=7/16-20 outer B=G 1/4 outer C=NPT 1/4 outer D=R 1/4 outer E=G within 1/4 F=NPT 1/4 inner G=R within 1/4 H=M12*1.25 outer I=Welded copper pipe	None=Yellow W=White	None=Without bracket P=Flat type L=L type U=U type

Note: The above are the model selection rules for non RoHS materials;
To comply with RoHS products, simply add (R) to the model number.

ANW1955 Diff. Pressure Switch	Model	Pressure Diff. Range	Factory Settings	Max Working Pressure
	02	-0.5~2	0.2~0.7	10
	03	-0.5~3	0.35~1.5	10
	06	-0.5~6	0.6~4	17
	08	-0.2~7.5	0.7~4	17
	10	1~10	1~3	17
	14	2~14	1~4	17
	16	3~16	1~4	17
	20	5~20	2~5	35
	30D	8~30	3~10	35
	32	8~32	2~6	35
	42	8~42	4~10	35
	70	10~70	5~15	35

Unit: bar
1bar=100kPa=0.1MPa=14.5Psi